



MASON INDUSTRIES, Inc.

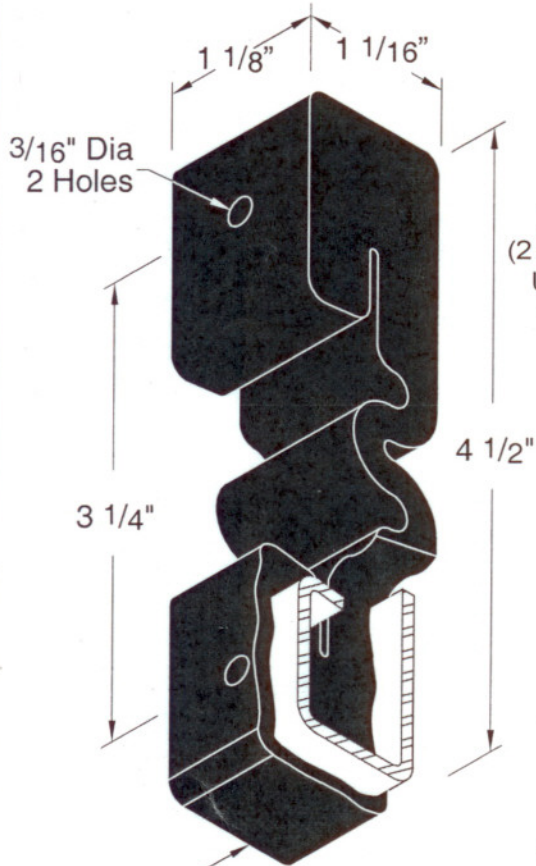
Manufacturers of Vibration Control Products

350 Rabro Drive
Hauppauge, NY 11788
631/348-0282
FAX 631/348-0279
Info@Mason-Ind.com

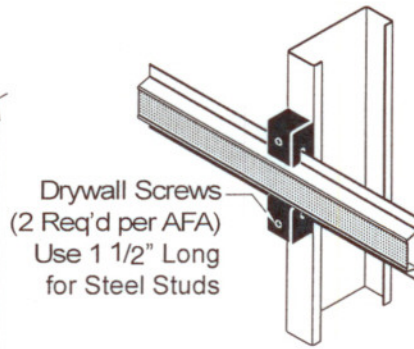
2101 W. Crescent Ave., Suite D
Anaheim, CA 92801
714/535-2727
FAX 714/535-5738
Info@MasonAnaheim.com

ACOUSTICAL FURRING ATTACHMENT

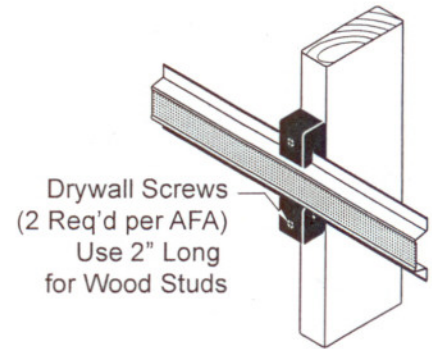
AFA



Steel Reinforced
50 Duro LDS Natural Rubber
Dynamic Stiffness 1.28
50 lbs Capacity



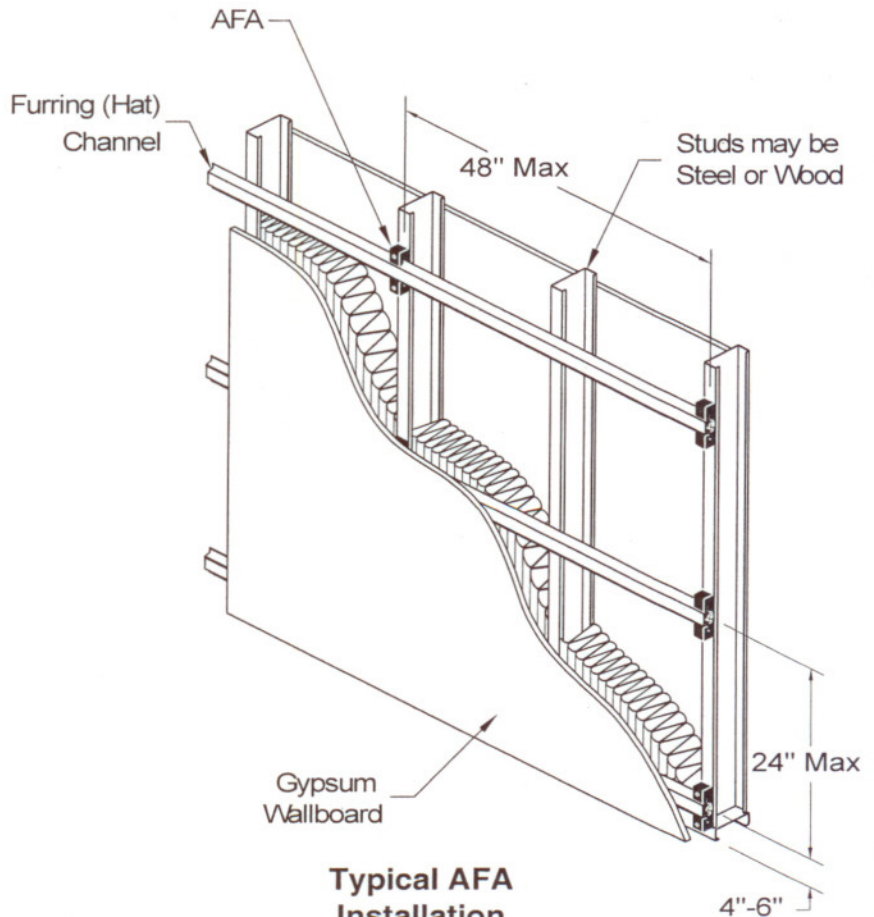
Drywall Screws
(2 Req'd per AFA)
Use 1 1/2" Long
for Steel Studs



Drywall Screws
(2 Req'd per AFA)
Use 2" Long
for Wood Studs



AFA may be stretched
for easy installation of
hat channel



**Typical AFA
Installation**



MASON INDUSTRIES, Inc.

Manufacturers of Vibration Control Products

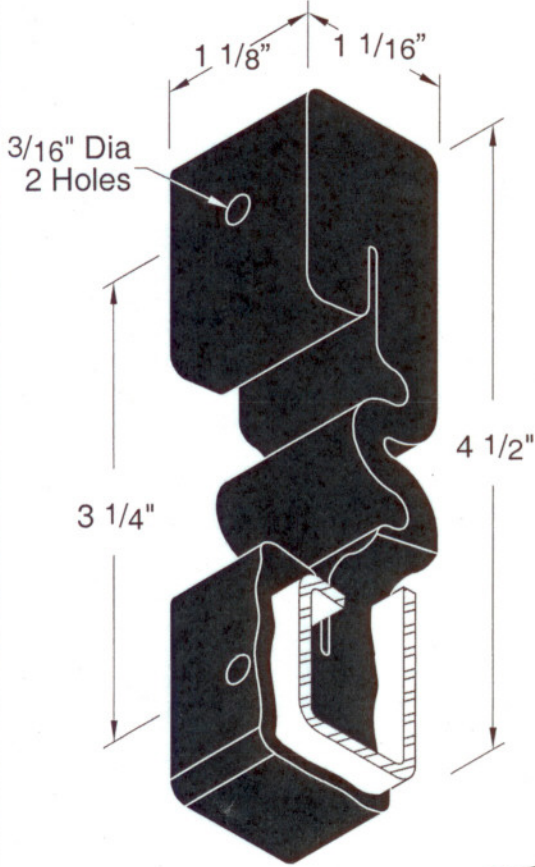
350 Rabro Drive
Hauppauge, NY 11788
631/348-0282
FAX 631/348-0279
Info@Mason-Ind.com

2101 W. Crescent Ave., Suite D
Anaheim, CA 92801
714/535-2727
FAX 714/535-5738
Info@MasonAnaheim.com

JOB NAME _____
CUSTOMER _____
CUSTOMER P.O. _____
MASON M.I. _____
DWG. NO. _____

AFA

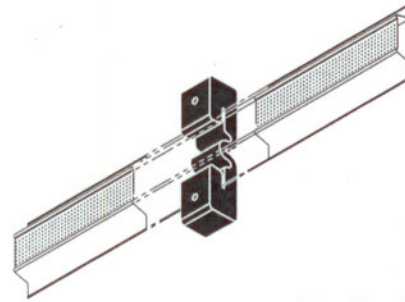
Acoustical
Furring
Attachment



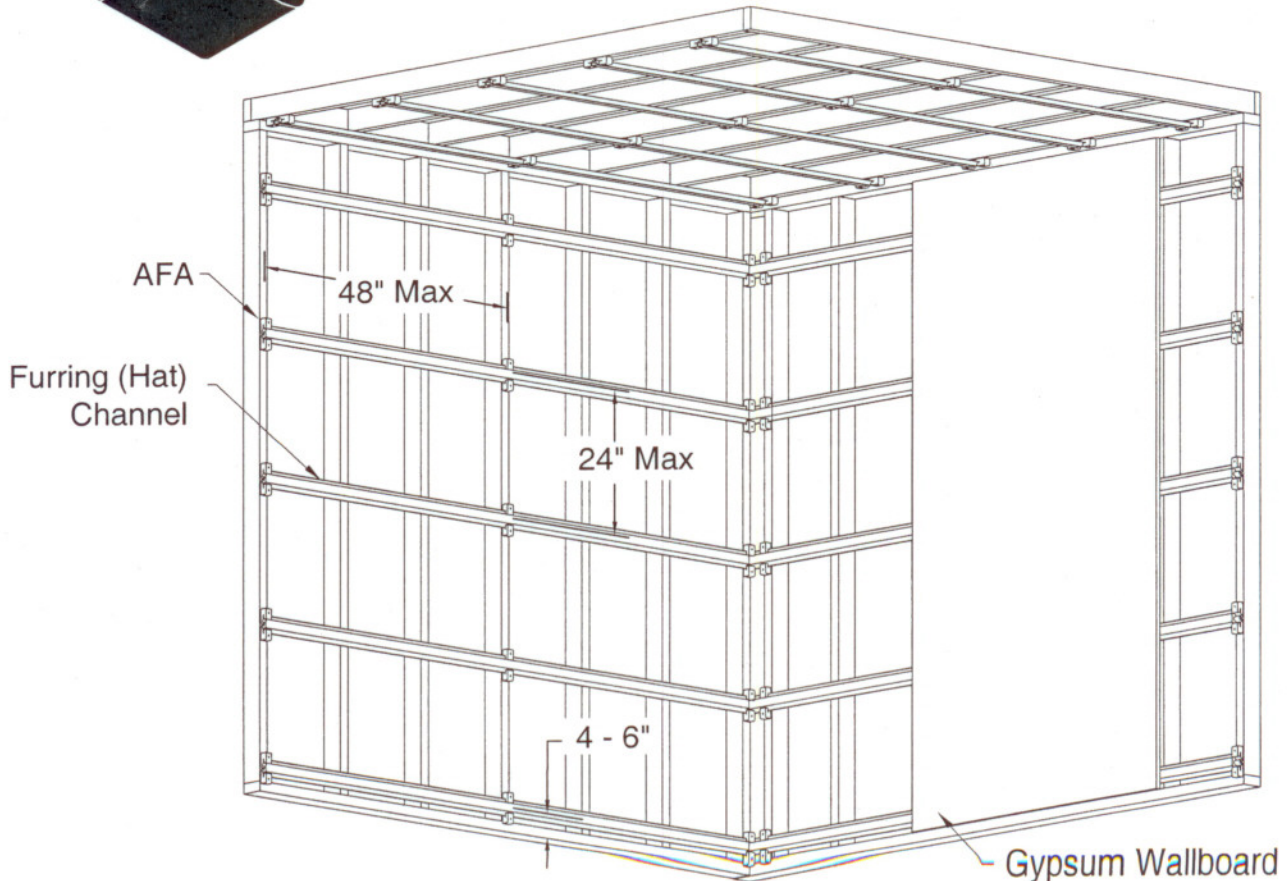
Material: Steel Reinforced
LDS Natural Rubber

AFA Ratings

Durometer	Max Load (lbs)
50	50



Typical AFA
Installation



FORM S-028

DWN:

CHKD:

DATE:

DWG. No.



MASON INDUSTRIES, Inc.

Manufacturers of Vibration Control Products

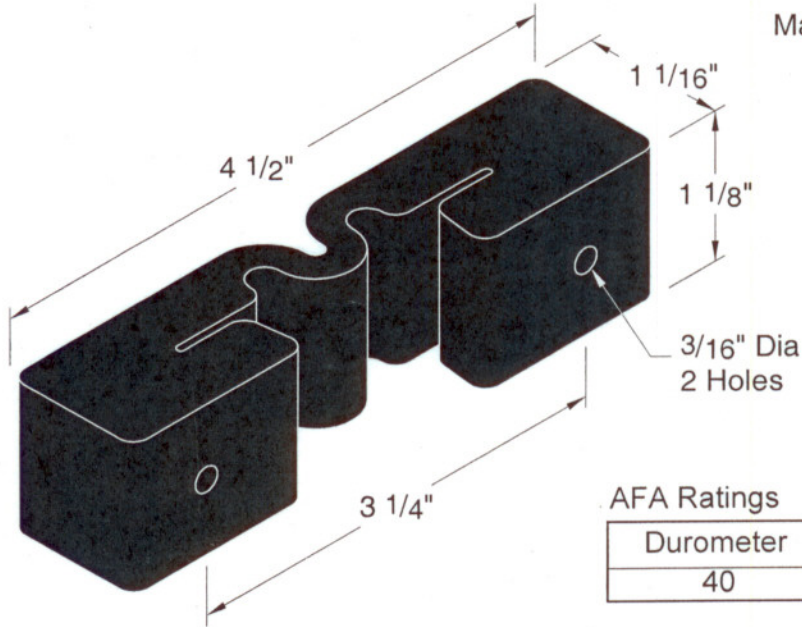
350 Rabro Drive
Hauppauge, NY 11788
631/348-0282
FAX 631/348-0279
Info@Mason-Ind.com

2101 W. Crescent Ave., Suite D
Anaheim, CA 92801
714/535-2727
FAX 714/535-5738
Info@MasonAnaheim.com

JOB NAME _____
CUSTOMER _____
CUSTOMER P.O. _____
MASON M.I. _____
DWG. NO. _____

AFA

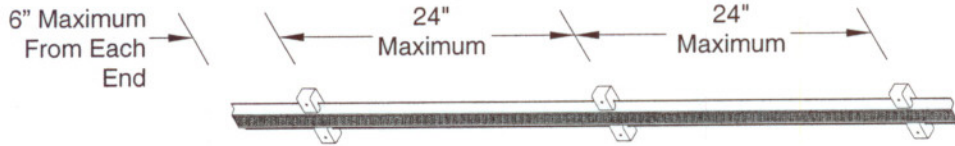
Acoustical
Furring
Attachment



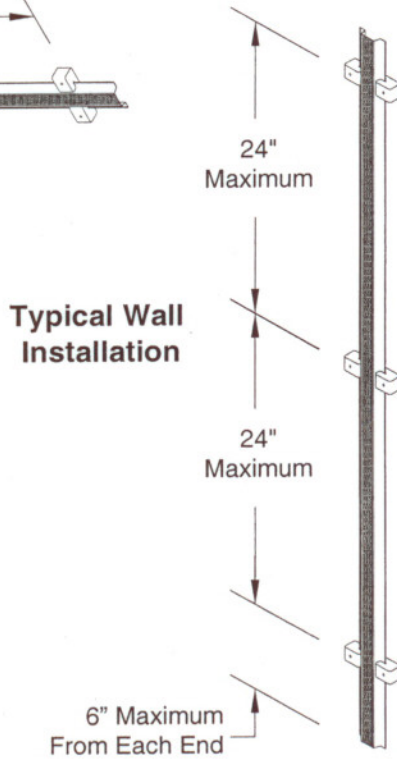
Material: Steel Reinforced
LDS Natural Rubber

AFA Ratings

Durometer	Max Load (lbs)
40	50



Typical Ceiling Installation



Typical Wall
Installation

FORM S-025

DWN:

CHKD:

DATE:

DWG. No.